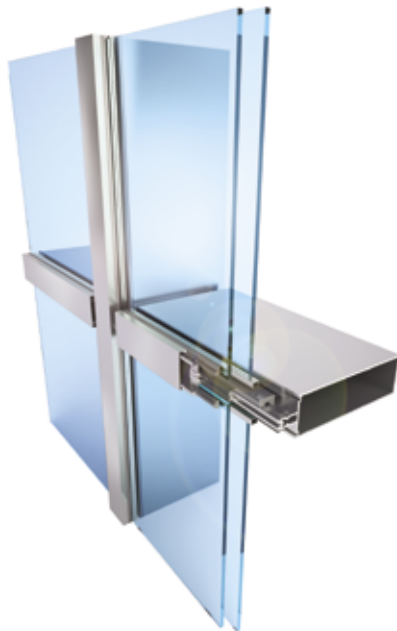


Reliance™ Curtain Wall—outside glazed, high performance pressure equalized curtain wall system by Oldcastle BuildingEnvelope®



The Reliance™ Curtain Wall zone-glazed system is easy to install and features **exceptional water control** and outstanding thermal performance. 1" and 1-1/4" typical infill systems are offered with snap-in glazing adaptors to accommodate 1/4" spandrel glazing. In addition, a complete system for 1/4" infill is available. Reliance™ provides two gasket options: EPDM dense gaskets on both the interior and exterior, or EPDM sponge gaskets on the interior to accommodate molded corners. Other installation features include roll-over and roll-under horizontals to simplify typical field stick erection. Reliance™ Curtain Wall is thermally broken utilizing an EPDM push-in isolator, and an FRP pressure plate is available for the 1" and 1-1/4" systems to take thermal performance to the next level.

Features

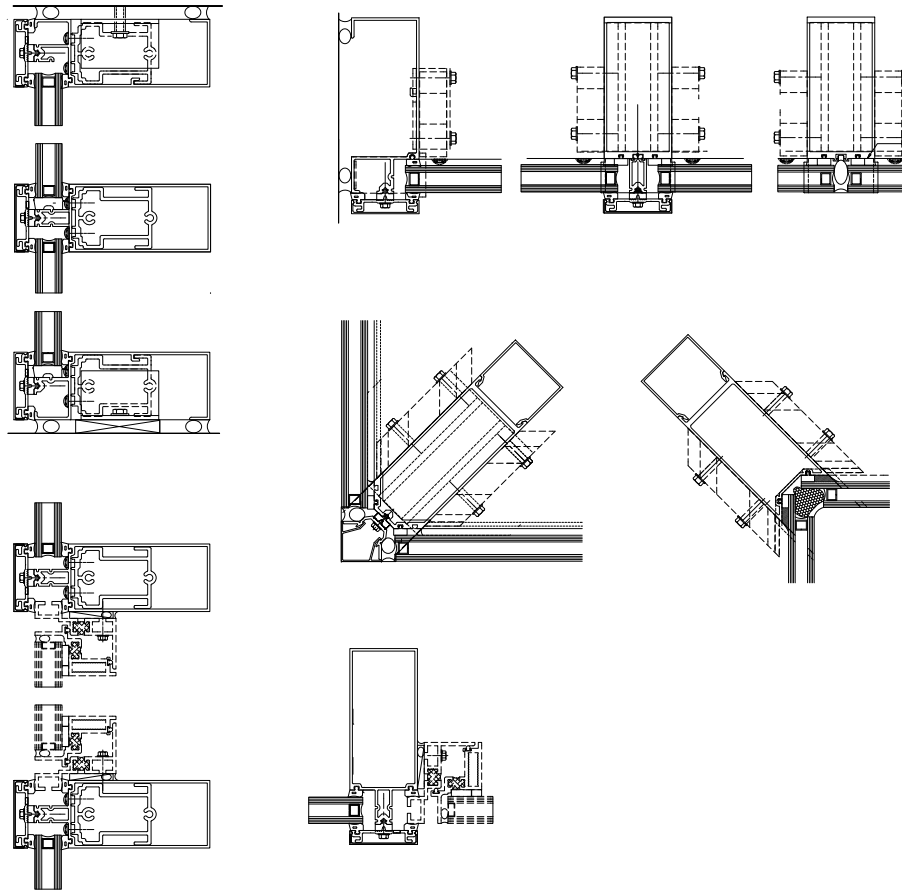


Granite Park III, Plano, TX
Architect: BOKA Powell

- Tubular stick built system with heavy-duty vertical options in order to meet higher design criteria
- Overall system dimensions: 2-1/2" sightlines in the following system depths:
 - 1/4" infill: 5-1/4" & 6-1/2"
 - 1" infill: 6", 7-1/4" & 10-1/8" (add 1/4" to depth for FRP pressure plate option)
 - 1-1/4" infill: 7-1/2" (add 1/4" to depth for FRP pressure plate option)
- Front set, outside glazed configuration
- Captured and SSG (structural silicone glazed) vertical mullions
- Thermally broken system
- Integrated Solar Eclipse™ sunshade and Solar Shelf™ light shelf
- Accommodates 1/4", 1" and 1-1/4" typical infills
- Available as a veneer system with 1/4" or 1" typical infill
- Accommodates glazed in projected and casement vents
- Accommodates low profile or flush door frames for entrance doors
- Factory-painted Kynar 500®/Hylar 5000® finishes, meeting all provisions of AAMA 2605
- Factory-anodized finishing



Standard Details



Performance

- Air Infiltration: <.06 CFM/SQ FT @ 6.24 PSF per ASTM E283
- Static Water: 15 PSF per ASTM E331
- Dynamic Water: 15 PSF per AAMA 501.1
- Deflection Load: 40 PSF per ASTM E330
- Structural Load: 60 PSF per ASTM E330
- Seismic: Three levels of deflection per AAMA 501.4
- STC per ASTM E90:
 - 37 with laminated glass
 - 33 with clear glass
- OITC per ASTM E90:
 - 30 with laminated glass
 - 28 with clear glass
- Thermal Performance per AAMA 1503 for clear 1" insulating glass:
 - Aluminum pressure plate
 - U-factor = 0.63 Captured / .61 SSG
 - CRF = 66 Captured / 70 SSG
 - FRP pressure plate
 - U-factor = 0.44 Captured
 - CRF = 68 Captured
- Thermal Performance per AAMA 1503 for Low-E 1" insulating glass:
 - Aluminum pressure plate
 - U-factor = 0.44 Captured and 0.37 SSG
 - CRF = 68 Captured and 73 SSG
 - FRP pressure plate
 - U-factor = 0.34 Captured
 - CRF = 78 Captured
- NFRC Certified and Thermal Performance Characteristics per AAMA 507